



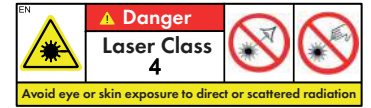
JETLASER

Mobile Laser Cleaning

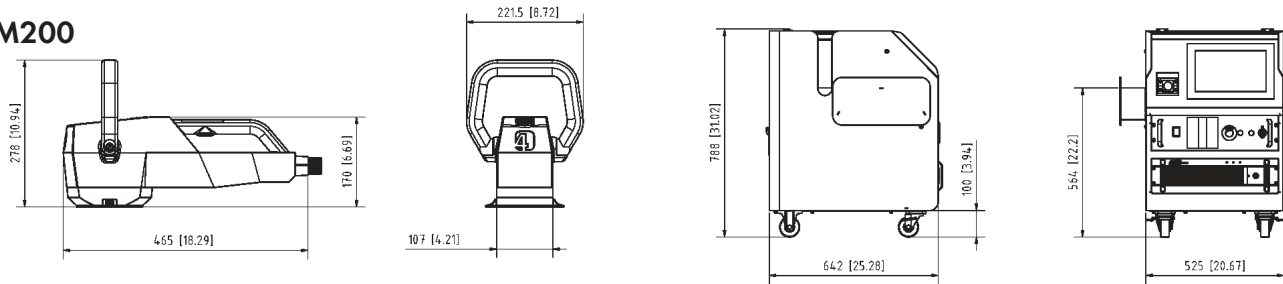


JETLASER

Mobile Laser Cleaning

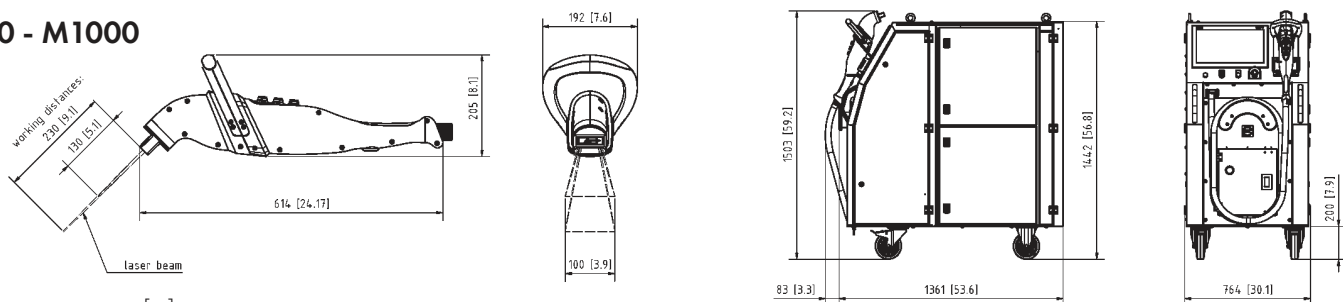


M100 - M200



measurements in mm [in]

M500 - M1000



measurements in mm [in]

JETLASER		M100	M200	M500	M1000
LASER	Units				
Laser Power	W	100	200	500	1000
Laser Class		4			
Wavelength	nm	1064			
ELECTRICAL DATA	Units				
Power Supply	VAC	110 - 265	230	380 - 480	
	Hz	50 - 60	50 - 60	50 - 60	
Power Consumption	kW max.	1.5	2	4.5	7.1
MECHANICAL DATA	Units				
Weight of Handpiece	kg	<5		<4	
Weight of Supply Unit	kg	ca. 80	ca. 80	ca. 365	
Working Distance	mm	287		130/230	
Length of Fibre Cable	m	5		3/10	15

APPLICATIONS

- Cleaning of molds, tools, and fixtures
- Paint, rust, and coating removal operations
- Pre-treatment of surfaces prior to welding, glueing or coating operations

SYSTEM

- Optimized for manual use
- Innovative approaches to ergonomics and worker safety by a symmetrical design
- Wide range of power levels from 100 to 1000 W
- Maintenance free solid state fibre laser
- Rugged mobile supply unit

